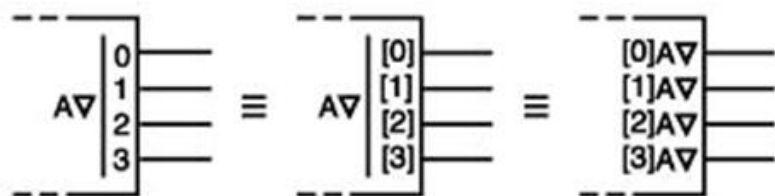
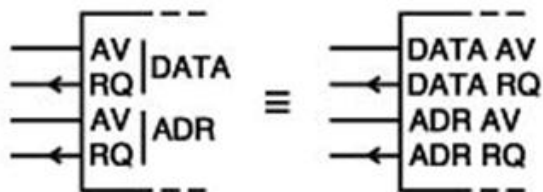
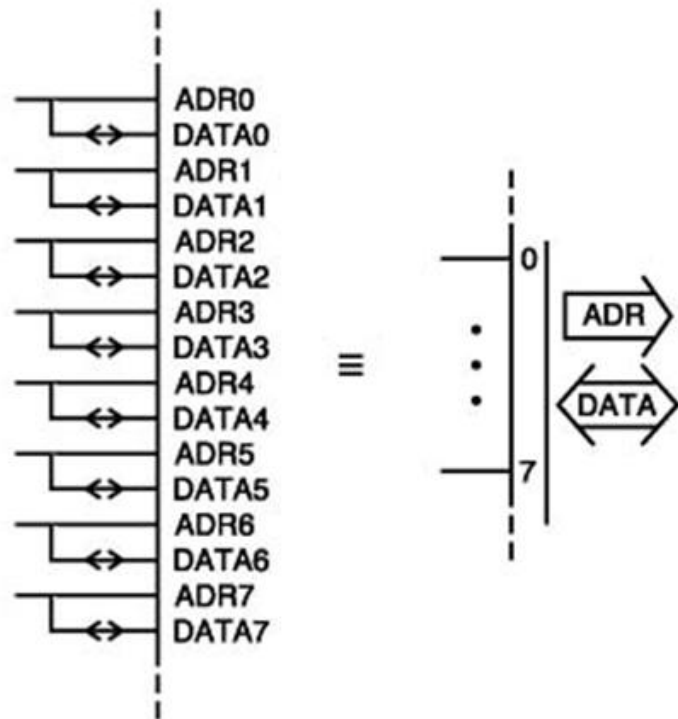


Illustrations



The omission of the brackets around the numbers 0, ..., 3 as shown in the leftmost figure is allowed only if no confusion is likely with weights or identifying numbers in the sense of dependency notation.



Although the ADDRESS inputs produce a number, the label grouping symbol is appropriate here if the DATA inputs and DATA outputs do not produce or represent a number.