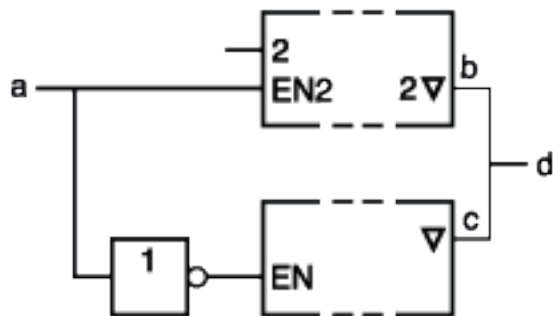
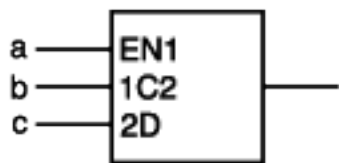


Illustrations



External logic states

a	b
0	c
1	d



≡

