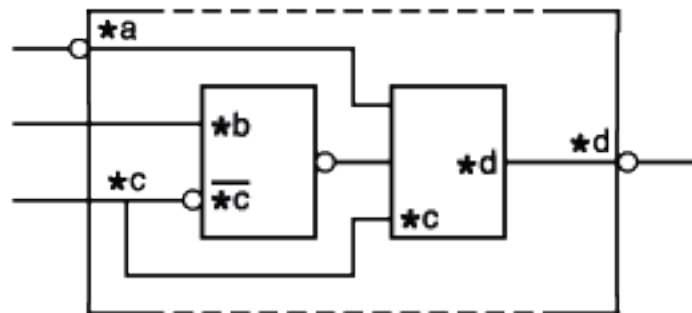


### Illustrations



$\star a \dots \star d$  represent four different labels.

