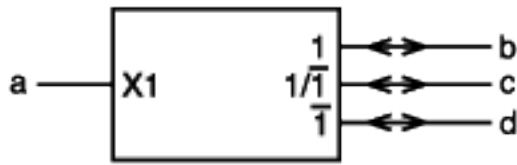
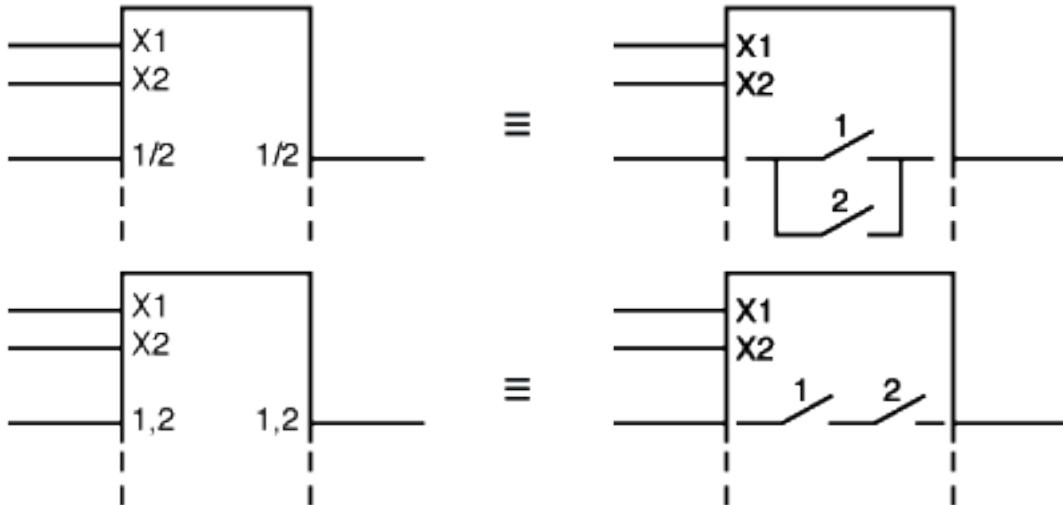


Illustrations

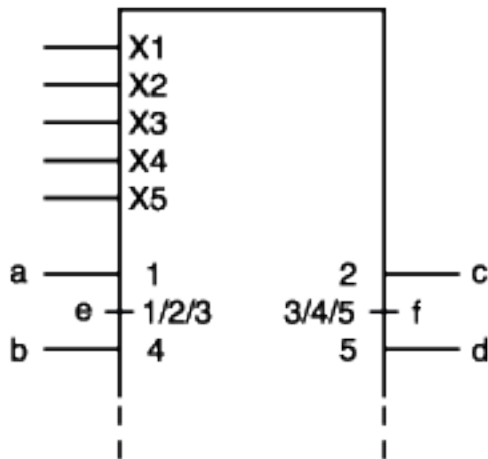


If input a satnds at its internal 1-state, there is a bidirectional transmission path between b and c.

If input a satnds at its internal 0-state, there is a bidirectional transmission path between c and d.



The use of virtual inputs and outputs can simplify an otherwise complicated string of notations:



or

